



ARISTON

SPARE PARTS EXPLODED VIEW STORAGE ELECTRIC WATER HEATERS

Model

SIMAT EU

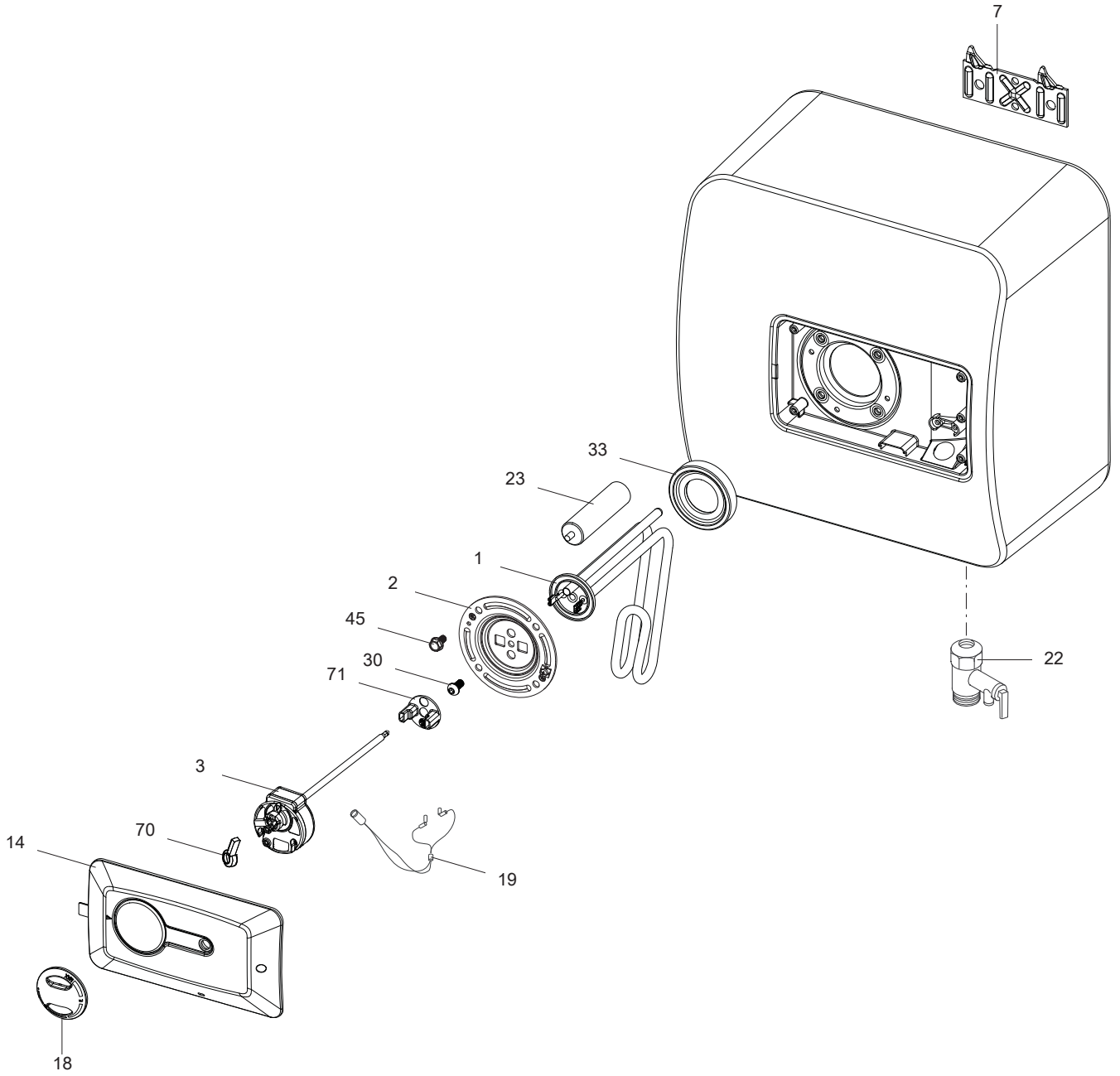
R8217178-03 - 29/05/2017

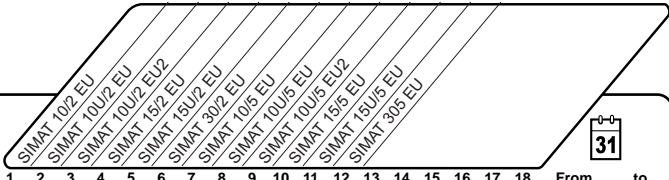
SIMAT EU

Storage Electric Water Heaters

1	3100507	SIMAT 10/2 EU	05-2015	-
2	3100509	SIMAT 10U/2 EU	05-2015	-
3	3100765	SIMAT 10U/2 EU2	06-2017	-
4	3100511	SIMAT 15/2 EU	05-2015	-
5	3100513	SIMAT 15U/2 EU	05-2015	01-2017
6	3100515	SIMAT 30/2 EU	05-2015	-
7	3100508	SIMAT 10/5 EU	05-2015	-
8	3100510	SIMAT 10U/5 EU	05-2015	-
9	3100766	SIMAT 10U/5 EU2	06-2017	-
10	3100512	SIMAT 15/5 EU	05-2015	-
11	3100514	SIMAT 15U/5 EU	05-2015	01-2017
12	3100516	SIMAT 30/5 EU	05-2015	-

Col	Reference	Model type	Begin	End
-----	-----------	------------	-------	-----



☉⇒	Description	Manf. Pt. N	Type																		
				1	2	3	4	5	6	7	8	9	10	11	12	13	14	15	16	17	18
0001	HEATING ELEMENT 1200W 220-240V	65114900					●	●	●												
	HEATING ELEMENT 1200W 220-240V	65114905		●	●	●															
	HEATING ELEMENT 1500W 220-240V	65114894								●	●							●			
0002	FLANGE (4 HOLES)	65114661		●	●		●	●	●	●		●	●	●							
	FLANGE (4 HOLES)	65115359				●						●									
	FLANGE (4 HOLES)	65115359		●	●		●	●	●	●		●	●	●							
0003	THERMOSTAT	65114903		●	●					●	●										
	THERMOSTAT	65114906						●	●												
	THERMOSTAT	65115012				●						●									
	THERMOSTAT	65115017					●					●									
0007	HEATER WALL HANGING BRACKET	570341		●	●	●	●	●	●	●	●	●	●	●	●	●	●	●	●		
0014	PLASTIC COVER + SIGNAL LAMP	65114910		●	●		●	●	●	●	●	●	●	●	●	●	●	●	●		
	PLASTIC COVER + SIGNAL LAMP	65116812				●						●									
0018	KNOB (REGULATION)	65114893				●						●									
0019	SIGNAL LAMP	993186		●	●	●	●	●	●	●	●	●	●	●	●	●	●	●	●		
0022	SAFETY VALVE WITH LEVER (1/2" 8,5 BAR)	571730		●	●	●	●	●	●	●	●	●	●	●	●	●	●	●	●		
0023	ANODE D:21,3 L:110 M5-M8	65103768-01		●	●	●	●	●	●	●	●	●	●	●	●	●	●	●	●		
0030	SCREW M6X12	993000		●	●	●	●	●	●	●	●	●	●	●	●	●	●	●	●		
0033	FLANGE GASKET	65114660		●	●	●	●	●	●	●	●	●	●	●	●	●	●	●	●		
0045	FLANGE SCREW M6X12	65114656		●	●	●	●	●	●	●	●	●	●	●	●	●	●	●	●		
0070	CAP (REGULATION)	65104043				●						●									
0071	TERMINAL SHIELD (GREEN)	65114895																	●		
	TERMINAL SHIELD (YELLOW)	65114901		●	●	●	●	●	●	●	●	●	●	●	●	●	●	●	●		

LIST OF THE ABBREVIATIONS

HW	: Hot water.
CW	: Cold water.
C	: Ceramic resistance (normal heating).
Ca	: Ceramic resistance (accelerated heating)
TP	: Immersion heater.
1F	: With fittings.
2F	: Without fittings.
3F	: With fittings and another outlet connection.
AMI	: With mixing valve.
SMI	: Without mixing valve.
PUISS	: Power of the appliance.
PN	: Appliance with normal pressure.
LP	: Appliance with low pressure.
PV	: Appliance with variable power.
PF	: Appliance with fixed power.

IDENTIFICATION PLATE

SERIAL NUMBER

6 Characters :
Year of manufacture 03 09 08 Manufacturing day
Month of manufacture

9 Characters :
Year of manufacture M 12 10 06 06 Sequential number
Month of manufacture

14 Characters :
SI-V-0B0 45 07 0001
Sequential number
Year of manufacture : 06 → 2004
Month of manufacture : → 25 → January 43 → July 7 → 2005
13 → February 29 → August 8 → 2006
32 → March 40 → September etc ...
35 → April 38 → October
39 → May 51 → November
45 → June 12 → December

15 Characters :
Year of manufacture 02 11 00001 007843
Month of manufacture Code appareil
Sequential number

21 Characters :
3200050 XX 08115 0000001
Product reference Sequential number
Year (08) / Manufacturing day (115)

22 Characters :
3200050 XX 070115 0000001
Product reference Sequential number
Year (07) / Month (01) / Manufacturing day (15)

The indications mentioned on the prices, commercial or technical literature and the scheme are written for your guidance and are available at a given time. The CONSTRUCTOR retains the power to modify the presentation, the form, the size, the conception or the material of the products.